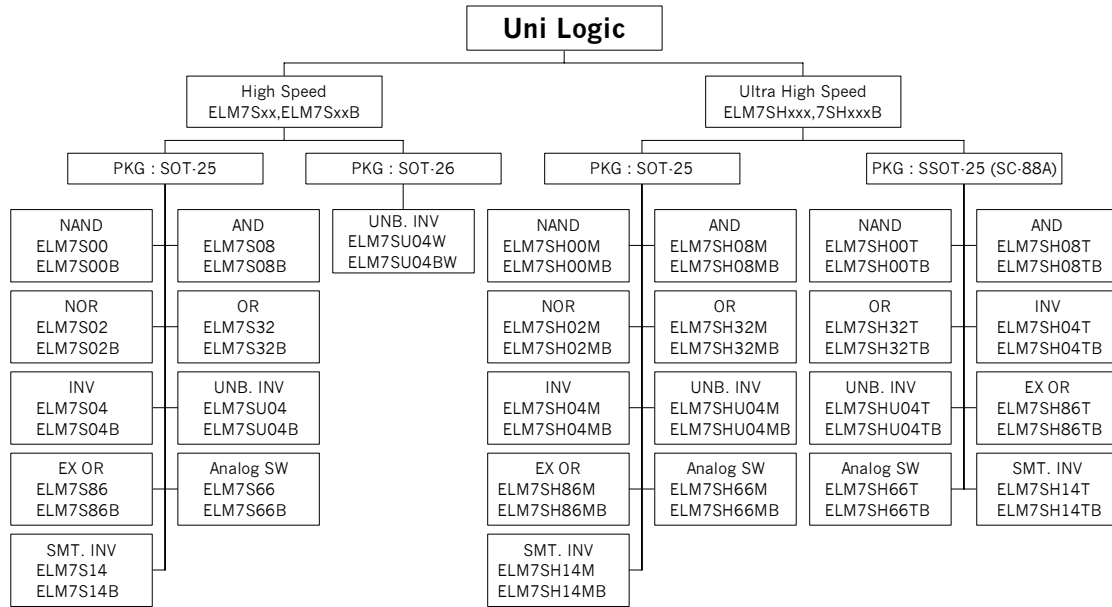


PRODUCTS LINEUP



ELM7Sxx
ELM7SxxB(Pb-Free)

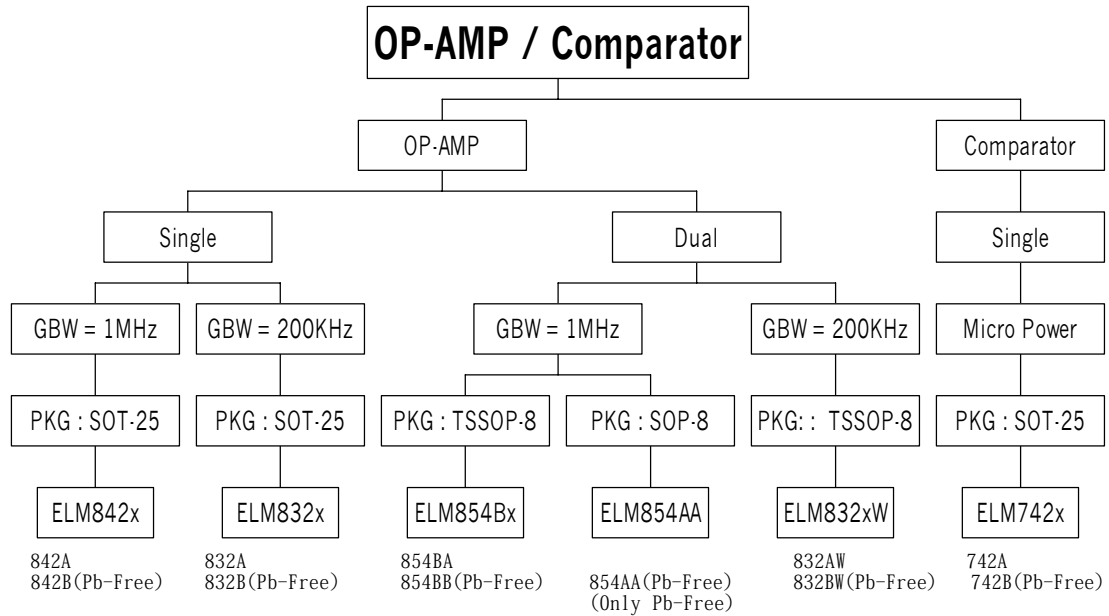
ELM7SHxxM
ELM7SHxxMB(Pb-Free)

ELM7SHxxT
ELM7SHxxTB(Pb-Free)

◆ Uni Logic

Parts Number		Function	Operation Speed	Operating Voltage	Package
Sn/Pb	Pb-Free				
ELM7S00	ELM7S00B	2-input NAND Gate	High speed	2.0V~6.0V	SOT-25
ELM7S08	ELM7S08B	2-input AND Gate			
ELM7S02	ELM7S02B	2-input NOR Gate			
ELM7S32	ELM7S32B	2-input OR Gate			
ELM7S04	ELM7S04B	Inverter			
ELM7SU04	ELM7SU04B	Unbuffer Inverter			SOT-26
ELM7SU04W	ELM7SU04BW	Unbuffer Inverter X 2			
ELM7S86	ELM7S86B	Exclusive OR Gate			SOT-25
ELM7S66	ELM7S66B	Analog Switch			
ELM7S14	ELM7S14B	Schmitt Inverter			
ELM7SH00x	ELM7SH00xB	2-input NAND Gate	Ultra High speed	2.0V~5.5V	SOT-25 SSOT-25 (SC-88A)
ELM7SH08x	ELM7SH08xB	2-input AND Gate			
ELM7SH02x	ELM7SH02xB	2-input NOR Gate			
ELM7SH32x	ELM7SH32xB	2-input OR Gate			
ELM7SH04x	ELM7SH04xB	Inverter			
ELM7SHU04x	ELM7SHU04xB	Unbuffer Inverter			
ELM7SH86x	ELM7SH86xB	Exclusive OR Gate			
ELM7SH66x	ELM7SH66xB	Analog Switch			
ELM7SH14x	ELM7SH14xB	Schmitt Inverter			

PRODUCTS LINEUP



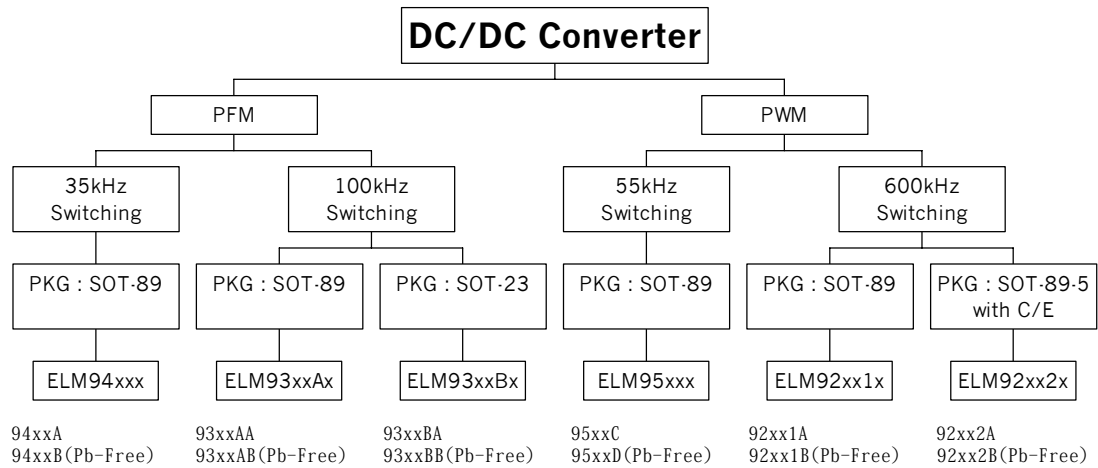
◆ Comparator

Parts Number	Operation Voltage	Supply Voltage Range	Current Consumption	Package
ELM742x	$V_{DD} \geq +1.0V$	1.0V~7.0V	Typ. 0.6 μA	SOT-25

◆ Operational Amplifier

Parts Number	Number of Circuits	Supply Voltage Range	Unity Gain Bandwidth	Current Consumption	Package
ELM842x	Single	1.2V~5.5V	Typ. 1MHz	130 μA	SOT-25
ELM832x	Single	1.2V~6.0V	Typ. 200kHz	25 μA	SOT-25
ELM832xW	Dual	1.2V~6.0V	Typ. 200kHz	50 μA (2 Amp. Unit total)	TSSOP-8
ELM854AA (Only Pb-Free)	Dual	1.2V~6.0V	Typ. 1MHz	300 μA (2 Amp. Unit total)	SOP-8
ELM854Bx	Dual	1.2V~6.0V	Typ. 1MHz	300 μA (2 Amp. Unit total)	TSSOP-8

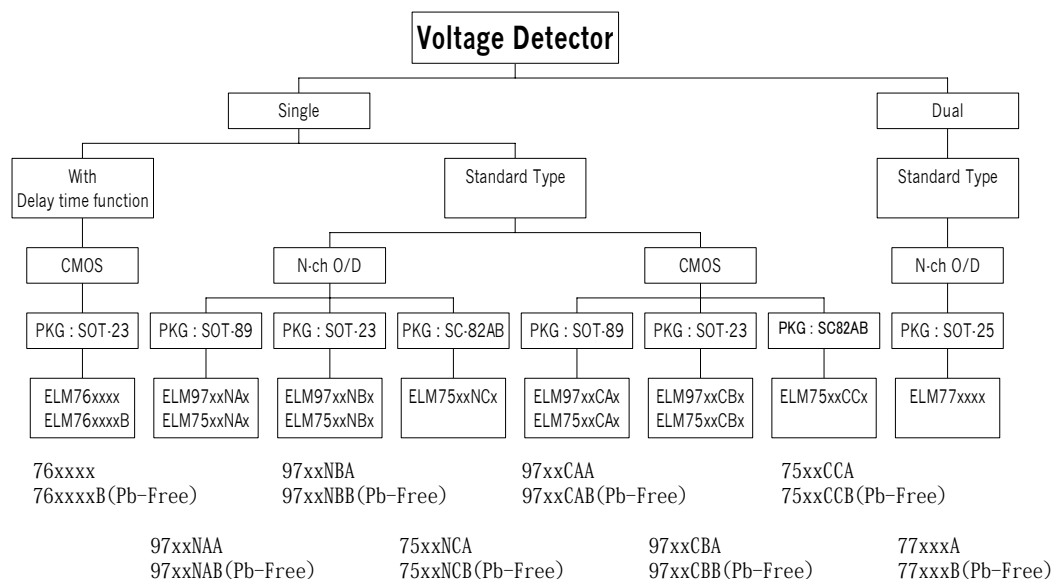
PRODUCTS LINEUP



◆ DC/DC Converter

Parts Number	Feature	Starting Voltage	Output Voltage	Efficiency	Switching Frequency	Package
ELM95xxx Series	PWM Step up	0.98V	2.5V~5.5V	Typ. 85%	Typ. 55kHz	SOT-89
ELM94xxx Series	PFM Step up	0.98V	2.5V~5.5V	Typ. 80%	Typ. 35kHz	SOT-89
ELM93xxxx Series	High efficiency PFM step up	0.9V	2.2V~3.6V	Typ. 85%	Typ. 100kHz	SOT-23 SOT-89
ELM92xxxx Series	CE Control, 600kHz, High output current PWM Step up	0.9V	2.5V~5.5V	Typ. 85%	Typ. 600kHz	SOT-89 SOT-89-5

PRODUCTS LINEUP



◆ Voltage Detector

Parts Number	Feature	Detection Voltage	Current Consumption	Operating Voltage	Output Form	Package
ELM97xxxxx Series	Standard Type	0.9V~5.0V	Typ. 1.0 μ A	0.8V~6.0V	N-ch	SOT-23
		1.6V~5.0V	Typ. 1.0 μ A		CMOS	SOT-89
ELM76xxxx (Sn/Pb) Series ELM76xxxxB (Pb-Free) Series	Delay Function : Typ. 150ms or Typ. 250ms or Typ. 500ms Low and High reset	1.9V~4.8V	Typ. 7.0 μ A	1.0V~6.0V	CMOS	SOT-23
ELM77xxxx Series	Dual circuits	0.9V~1.2V 2.2V~2.7V	Typ. 1.5 μ A	0.8V~6.0V	N-ch	SOT-25
ELM75xxxxx Series	Small package and Low power	2.1V~4.0V	Typ. 0.6 μ A	0.8V~6.0V	N-ch CMOS	SC-82AB SOT-23 SOT-89

